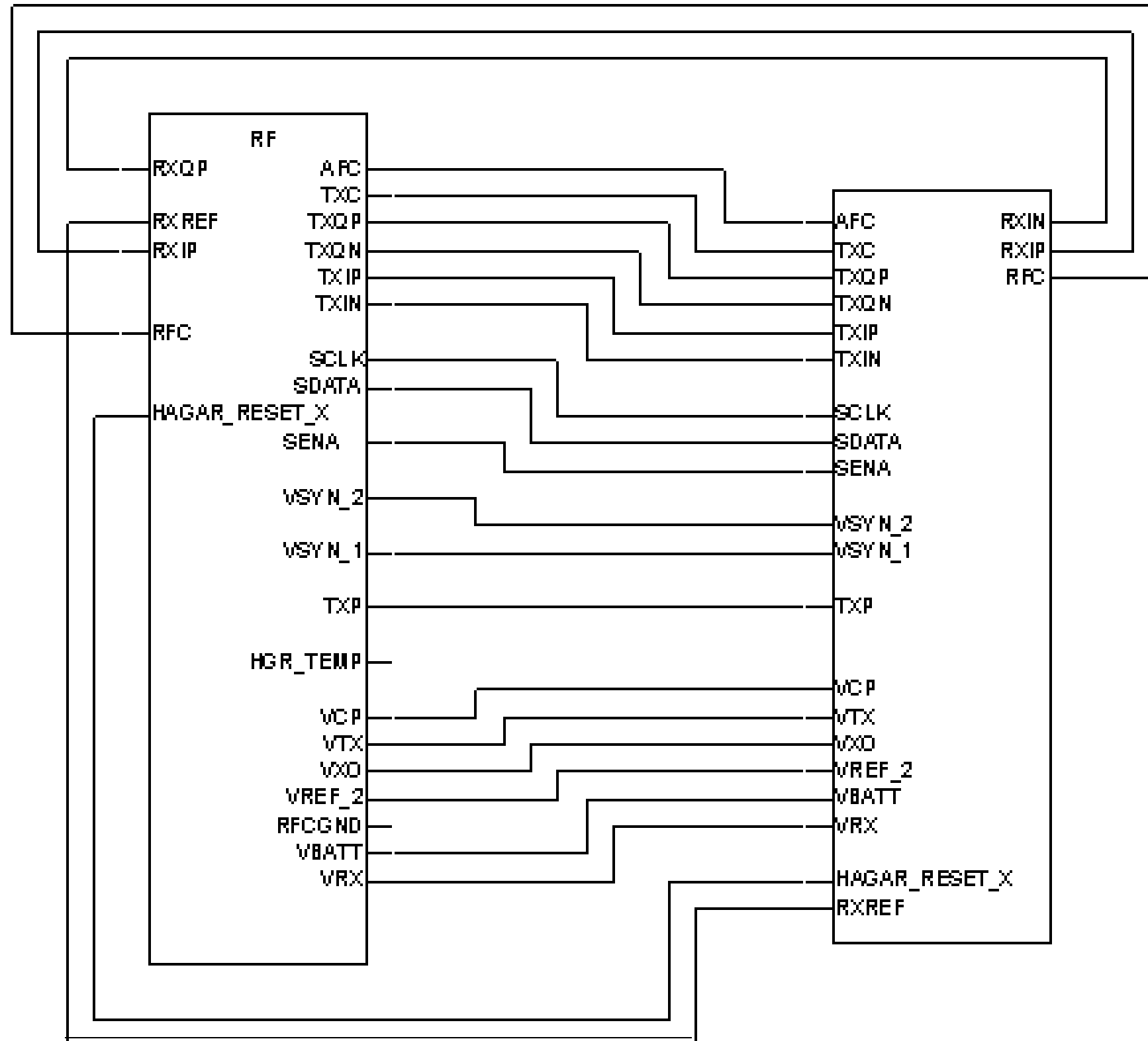
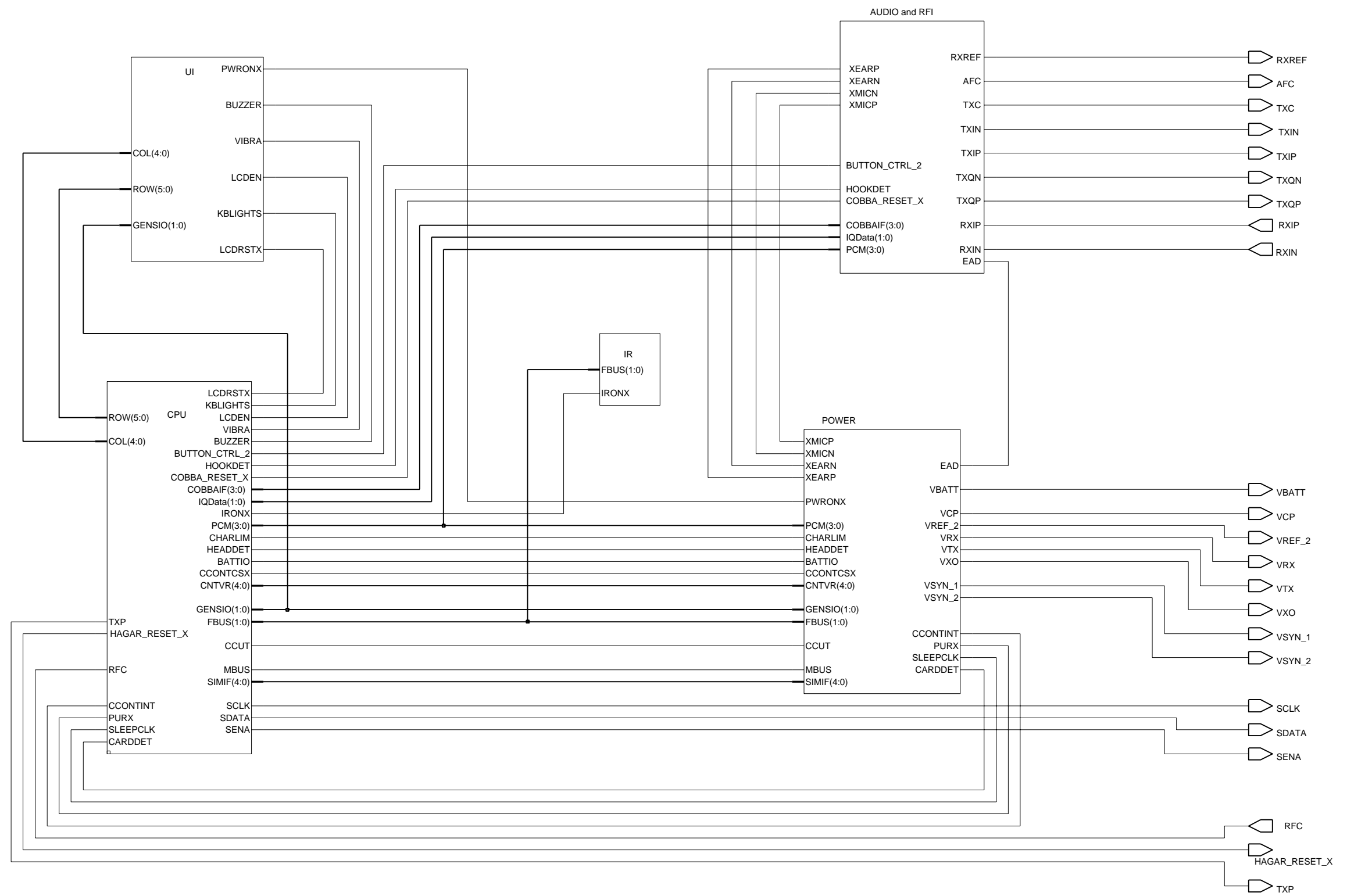


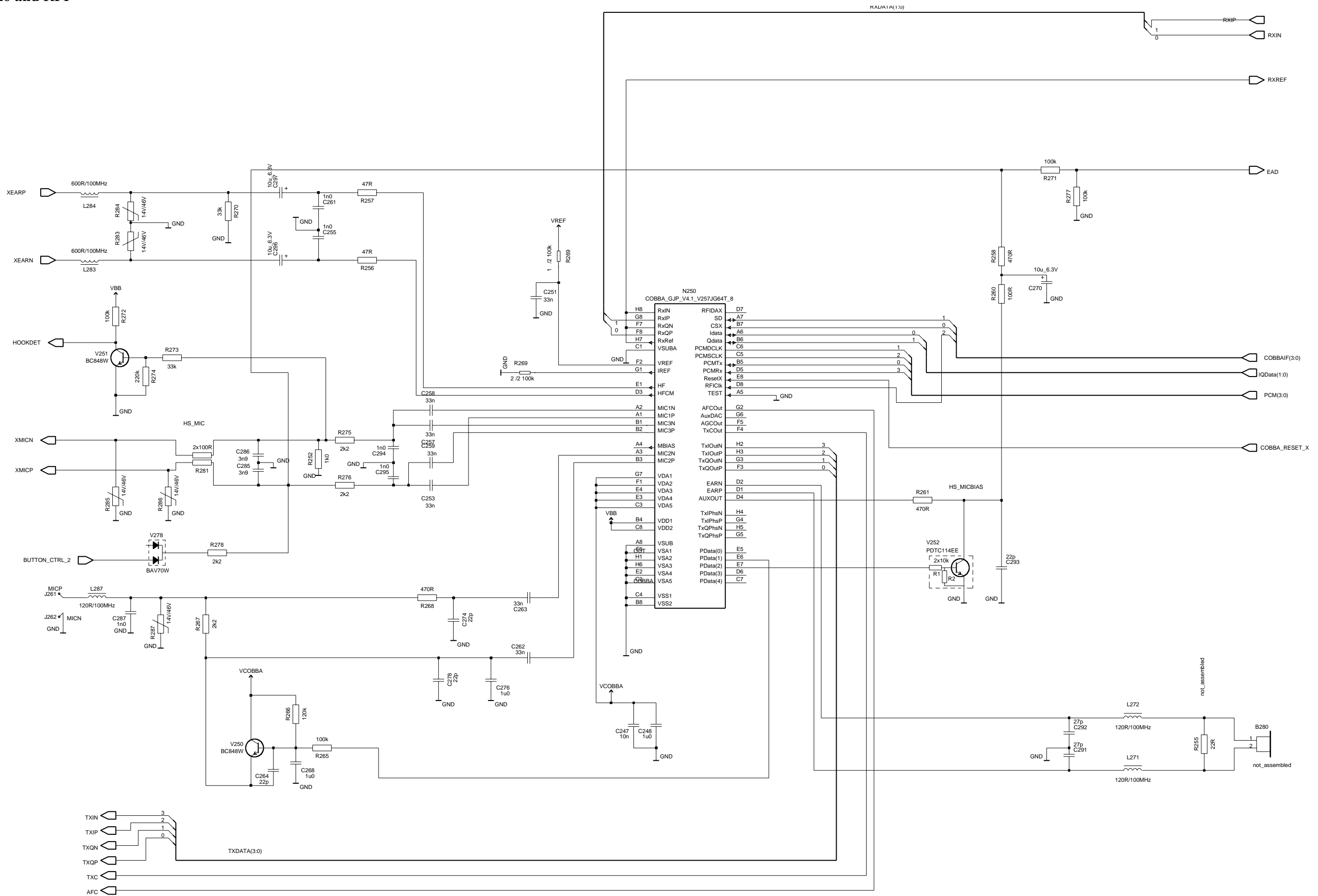
RF & BB



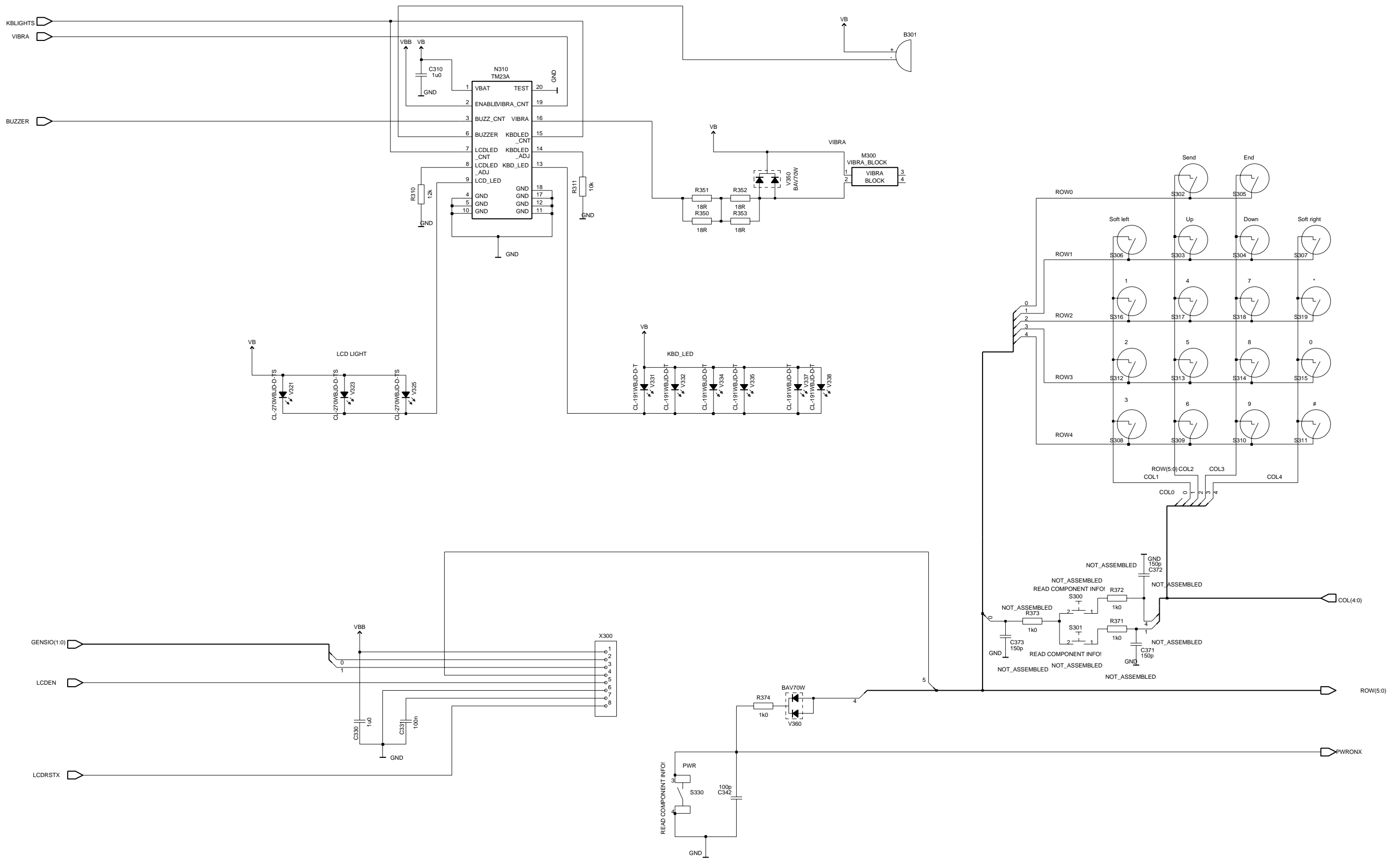
BB Block Connections



Audio and RFI



UI



Layout Diagram of DF8 -Bottom

df9_03a_asmdrw_b

